



GPD Plus Series Circulation Pumps
B级能效循环泵

安徽新沪屏蔽泵有限责任公司

ANHUI SHINHOO CANNED MOTOR PUMP CO.,LTD.

地址(Add) :安徽省合肥市高新区柏堰科技园铭传路780号
No.780, Ming Chuan Road, High-Tech Zone ,Hefei, Anhui, P.R China
网址(Http):www.shinhoodump.com

国内贸易 P.R. China
电话(Tel): +86-551-62379800
传真(Fax): +86-551-62379800

国际贸易 International
电话(Tel): +86-551-62379803
传真(Fax): +86-551-62379801

企业在线 Company Online
阿里巴巴: <http://shxh88.1688.com/>
Alibaba: <http://shxinhu.en.alibaba.com/>

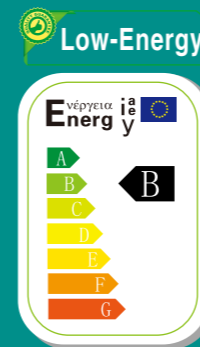
注: 本公司保留对该样本的解释权和修改权 (Our company has the finally right for the instruction of explanation and amendment.)

采用生态纸印刷
Adopt ecotypic paper to print
The 2nd Edition 2017.06.24

Shinhoo®新沪
PUMPS & MOTOR

The GPD Plus Series Circulation Pumps

GPD Plus Series Circulation Pumps
B级能效循环泵



安徽新沪屏蔽泵有限责任公司

ANHUI SHINHOO CANNED MOTOR PUMP CO.,LTD.

■ 公司简介

安徽新沪屏蔽泵有限责任公司是浙江大元泵业股份有限公司（上交所：603757）的全资子公司，专注于屏蔽泵的研发&制造。

2007年，为满足日益增长的市场需求，新沪公司在中国安徽省合肥市国家级高新区斥资3亿元人民币开始兴建占地10万平方米的大型生产基地，并于2009年年底正式投产。

新沪公司严格按照ISO9001:2015质量管理体系、ISO14001:2015环境管理体系、OHSAS18001:2007职业健康安全管理体系标准建立起研发、生产、销售和服务体系。依据不同国家和地区的法规，相关产品相继通过了CCC、GS、UL、CE等多项认证以及RoHS、REACH、EEI等多项检测，以确保产品安全、稳定、可靠、耐用，并符合当地的法律法规要求。物力的保障、制度的完善、人才的汇聚，奠定了新沪公司的核心竞争力和可持续发展空间。

新沪公司作为全国泵标准化技术委员会委员单位、全国旋转电机标准化技术委员会起重冶金和屏蔽电机标准化分技术委员会委员单位，参与起草了一系列屏蔽泵和屏蔽电机标准。新沪矢志不渝的坚持以客户需求为导向的产品研发和质量提升，为不同流体介质无泄漏输送的一般性和特殊性要求提供专业的解决方案。新沪产品远销欧美亚多个国家和地区，广泛应用于化工、石化、石油精炼、纺织、机车、中央空调、航空航天、军工、核电、空调系统冷暖循环供水、建筑、环保、暖通、新能源等诸多领域。可靠的产品品质，贴心的售后服务，为新沪赢得了广泛美誉。

新沪公司愿与您诚信携手、共创辉煌。



■ Company Profile

Introduction of Anhui Shinhoo Canned Motor Pump Co., Ltd. (Shinhoo)

As a wholly-owned subsidiary of Zhejiang Dayuan Pumps Industrial Co., Ltd. (Shanghai Stock Exchange stock code: 603757), Shinhoo is specialized in canned motor pump Manufacturing.

In order to satisfy the rising market demand, in 2007 our large production base was constructed with the total investment of 300 million Chinese Yuan in National Hi-Tech Developing Zone in Hefei, Anhui Province, China. In the end of 2009, our new plant with the floor area of 100,000 Square meters started running.

Based on the standard of ISO 9001:2015 Quality management system, ISO14001:2015 Environment management system and OHSAS18001:2007 Occupation Health and Safety Management System, Shinhoo established a complete set of design, producing, marketing and service system. As required by different countries and areas, our related products successfully obtained certifications such as CCC, GS, UL and CE as well as passed required tests such as RoHS, REACH and EEI. All of these ensured the safety, stability, reliability, durability and legality of our products in the market. We have formed our own core competitiveness as well as the space for sustainable development with sufficient material resources, reinforced regulation system and high tech talents we gathered.

As a member units of national pump standardization technical committee as well as Crane, Metallurgical Motors and Canned Motors standardization technical committee of national electric rotating machinery standardization technical committee, we participated drafting work of a series of standards regarding canned motor and canned motor pumps. We are committed to product research and development as well as quality promotion with orientation of customers' requirement. We offer professional solutions for general and special requirements regarding non-leakages delivery of various kinds for fluid. Our products are sold abroad to many countries in America, Europe, Asia and other areas being widely used in chemical industry, petrification, petroleum refining, textile industry, locomotive, central air conditioning, aerospace, military industry, nuclear power, air conditioning system cooling and heating circulation, construction, environment protection, ventilation and new energy. With reliable quality and attentive service, we have gained a high reputation in the market.

We sincerely hope to cooperate with you for a splendid future together.

新沪全心全意做好泵

给系统一颗强劲的 

目录 /Contents

- 01/ 公司简介 Company Profile
- 03/ 产品爆炸图 Structural diagram
- 05/ 产品简述 Product Brief
- 05/ 使用场合 Application
- 05/ 使用条件 Working condition
- 06/ 产品特点 Features
- 06/ 使用成本举例 Example of using cost
- 07/ 主要零件材质表 Material Table
- 07/ 定制化 Customization
- 08/ 产品列表 Product Range



产品爆炸图 Structural diagram

新一代GPD产品更节能，实际效率比普通产品效率提升6%到8%

泵体 Pump body

铸铁材质泵体，依靠精密的加个设备严格控制与叶轮之间的间隙，表面采用电泳涂层处理

叶轮 Impeller

优化水利设计，使液流更加平稳，大大降低了水力摩擦

转子 Rotor

为不锈钢材质

定子组件 Stator

GPD Plus系列产品，优化和改进了电机参数，进一步提升了电机效率。内有热保护器，无需添加额外保护装置

下轴承座 Underside bearing base

为不锈钢材质

衬垫 Gasket

为橡胶材质

定子屏蔽套 Shield cover

为不锈钢材质

机座 Housing

铸铁材质泵体，采用电泳表面涂层处理

接线盒盖 Electric box cover

电容 Capacitor

接线盒座 Junction box seat

旋钮 Knob

开关 Switch

衬垫 Gasket

内六角螺钉 Bolt

放气螺钉 Deflating screw

铭牌 Nameplate

产品简述 Product Brief

GPD B级能效循环泵是在GPD产品的基础上进行改进，产品能效由之前的D级提升至B级。通过优化和改进电机、水利等方面的设计，使机组效率提升6%到8%，在国际普遍呼吁环保节能的大前提下，具有重要意义！

B-class circulation pumps of GPD Plus series are the improvement on the basis of the GPD series. The energy efficiency of product is enhanced from Class D to Class B. Through the optimization and improvement of motor, water conservation and other aspects of the design, The unit to enhance the efficiency of 6% to 8% . In the context of appeal for environmental protection and energy conservation on the international scale, B-class circulation pumps are of great prospect.



使用场合 Application

1. 家庭、公寓、楼层供水增压
2. 地暖系统、锅炉等热水循环
3. 太阳能、热泵机组的冷、热水循环
4. 需要增压或循环的其他场合

Pumps can be used in single tube or double tube heating system, also can be applied to city apartments, cooling system, air conditioning, boiler and solar system etc.

使用条件 Working condition

1. 电源：电压230V、频率50Hz的单相交流电，工作电压应在230V±10%范围内
2. 最大系统压力≤1.0MPa的场合
3. 运行条件：环境温度0℃~40℃，相对湿度≤95%，输液温度2℃~110℃环境温度应始终低于输送介质的温度，否则定子内腔会产生冷凝水
4. 输送介质：清洁、稀薄、无腐蚀、非易燃易爆且不含固体颗粒的液体
 - ★ 泵轴承是靠输送介质润滑的，严禁无液运转。否则会损坏水泵，甚至烧机样本中的型号也可根据客户要求设计不同的电压、频率

1. Power supply: voltage 230V, frequency 50Hz, single-phase AC power. The working voltage should be in range of 230V±10%.
2. Maximum system pressure 1.0 MPa.
3. Ambient temperature: 0℃~40℃, relative humidity: <95%, liquid temperature: 2℃~95℃. In order to avoid condensation water in stator make sure that the temperature of environment is lower than liquid temperature.
4. Circulating liquid: thin, clean, non-corrosive & non-explosive liquids, and without any solid particles, fibers or mineral oil. Pump absolutely must not be used to transport flammable liquids, such as diesel and petrol.

★Lubrication of bearing is achieved by circulating liquid. Operation without liquid is forbidden. All the models listed in this catalog can be customized according to customer requirement.

产品特点 Features

与常规GPD产品相比，具有：

1. 通过先进的水力模型进行优化设计，依靠精密的加工设备将叶轮与泵体之间的间隙严格地控制在设计范围内。使液流更平稳，大大降低了水力摩擦，从而获得更高的效率，同时也降低了噪音。
2. 通过模拟试验对电机进行改进，提高电机的效率，使电机性能更佳。内部装有热保护器，无需添加额外的保护装置。

与以往节能泵相比，具有：

1. 节能泵大多是用永磁直流电机加一块驱动板运行工作，所以成本一直居高不下。B级能效的电机为鼠笼式2级交流电机，无需驱动即可工作，降低了成本。
2. 电机内部引出线直接接通电源即可，安全、结构简单、易于操作。

Compared with GPD series, GPD Plus series has the following features:

1. Through the optimization design of the hydraulic model, the gap between the impeller and pump body has been strictly controlled in the scope of design, which helps reduce the water friction and noise level, and improve efficiency.
2. The performance of motor is also improved by the simulation test. The improved motor is installed with thermal protector, no need additional protection.

1. Compared with GPA series, GPD Plus series has the following features:

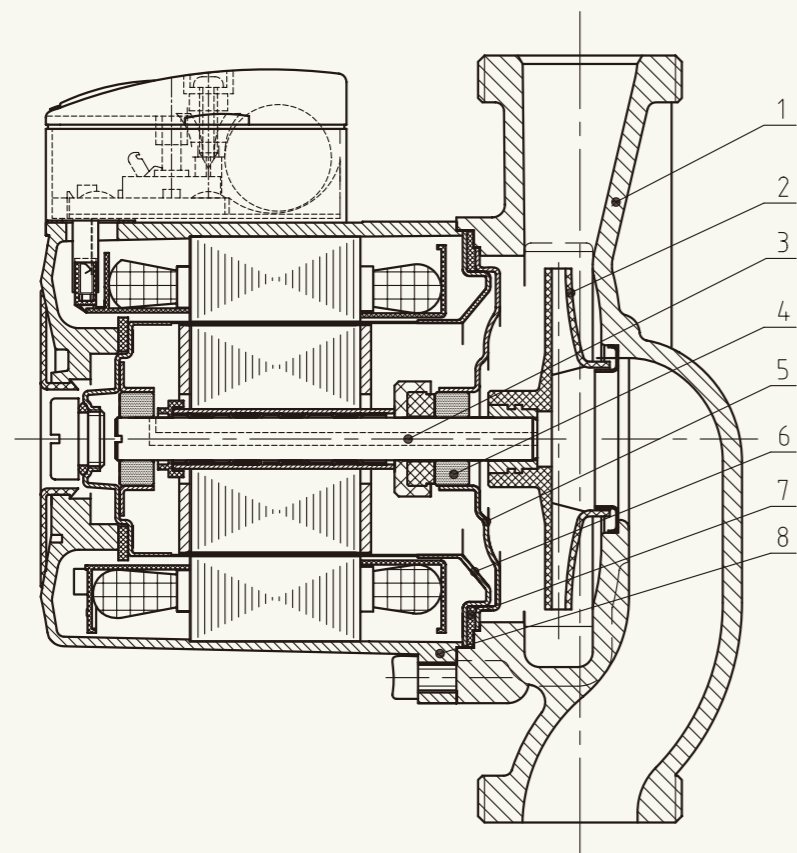
- The high efficiency pumps mostly use permanent magnet DC motor and a drive plate, which makes the cost of pump on a high level.
- B class pump use the squirrel-cage type AC motor, no need drive, this way the cost of pump is reduced. The lead-out wire can be connected to power supply directly, it's more safe and easy to operate.

使用成本举例 Example of using cost

1. 假设一个家庭用一台常规25-6S的水泵作供水增压，水泵一天12小时全额工作，水泵功率100W，其日电量为：
 $W = P1 \times h$ 即 $W = 100 \times 12 = 1.2KWh$
年用电量为： $W_{总} = 1.2 \times 365 = 438KWh$
2. 换成GPD25-6S B级能效泵，其日用量为：
 $W = 70 \times 12 = 0.84KWh$
年用电量为： $W_{总} = 0.84 \times 365 = 306.6KWh$

通过对比，我们可以直观地看出B级能效泵节能的情况。

1. Assumed one family use one GPD25-6S pump for water supply, and the pump works 12 hours one day, the power of pump is 100W, the power consumption daily is:
 $W = P1 \times h$ 即 $W = 100 \times 12 = 1.2KWh$
Annual power consumption : $W_{total} = 1.2 \times 365 = 438KWh$
2. If changed to GPD 25-6S Plus, the daily power consumption will be: $W = 70 \times 12 = 0.84KWh$
Annual Power consumption: $W_{total} = 0.84 \times 365 = 306.6KWh$
通过对比，我们可以直观地看出B级能效泵节能的情况。
By the comparison, we can intuitively get the result that GPD Plus is more energy-saving.



主要零件材质表 Material Table

序号 No.	零件名称 Name	材质 Material
1	泵体 Pump body	铸铁/不锈钢 Castiron / Stainless steel
2	叶轮 Impeller	工程塑料 Engineering plastic
3	轴 Shaft	陶瓷 Ceramic
4	轴承 Bearing	陶瓷 Ceramic
5	下轴承座 Base of bearing	不锈钢 Stainless steel
6	定子屏蔽套 Shield cover	不锈钢 Stainless steel
7	衬垫 Gasket	橡胶 Rubber
8	机座 Housing	铝合金 Aluminium alloy

定制化 Customization

如果我们的标准化产品满足不了您的产品要求时，我们可以针对您的技术要求结合应用要求提供百分之百的客户定制产品以满足您团队的产品要求。

If standard just isn't enough, our customized solutions are 100% tailored to your technical specifications and application needs in close cooperation with your development team and production.

产品列表 Product Range

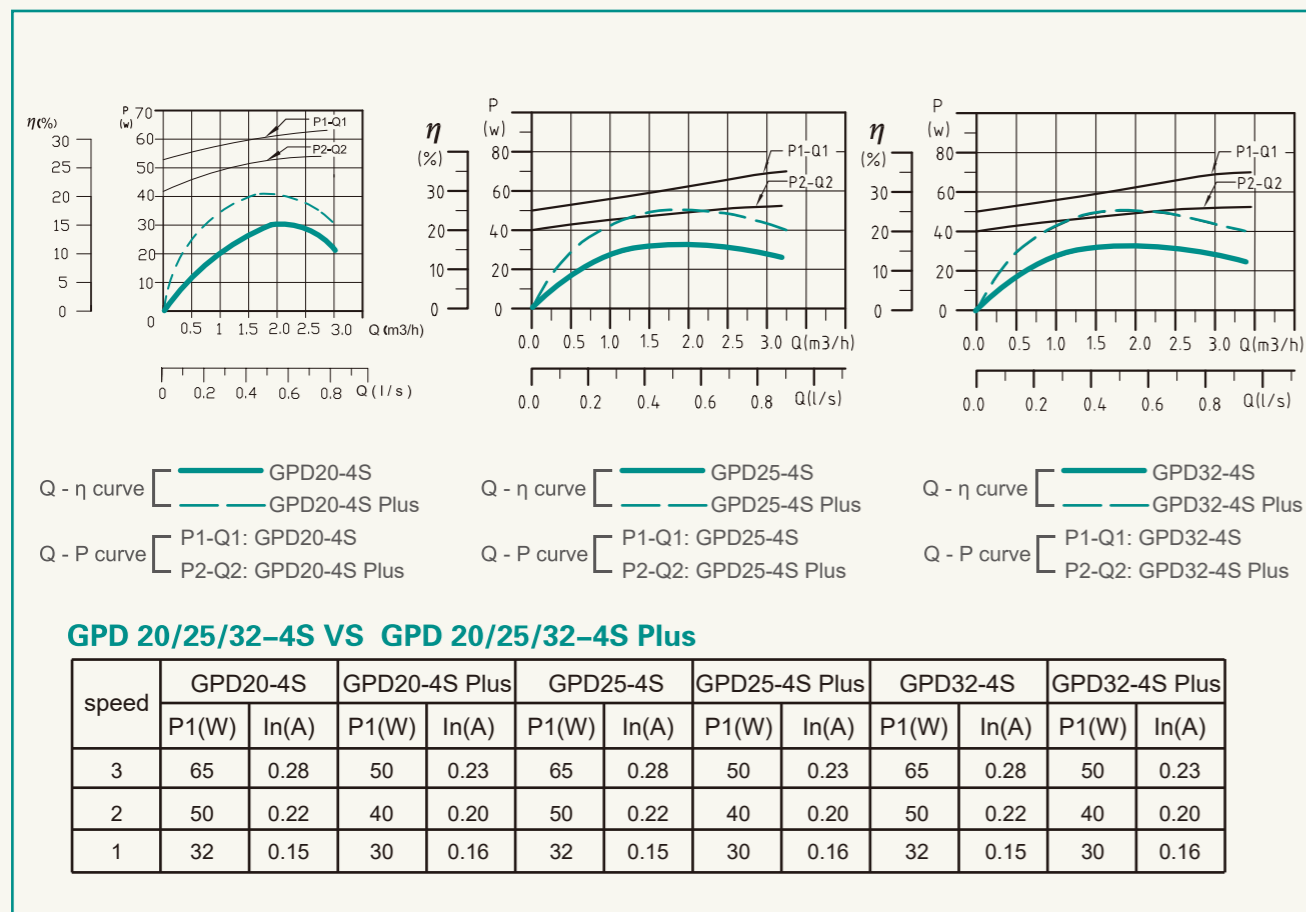
产品参数对照表 Parameters

输入功率 Power(W)	产品型号 Model	最大流量 Max.flow(m³/h)	额定功率 Rated power(W)	额定电流 Rated Current(A)	电压 Voltage(V)	泵体材质 Material		
					230V	铸铁 Castiron	不锈钢 Stainless steel	铜 Copper
50	GPD20-4S Plus	2.4	50/40/30	0.23/0.2/0.16	●	●	●	●
	GPD25-4S Plus	2.6			●	●	●	●
	GPD32-4S Plus	2.8			●	●	●	●
60	GPD20-5S Plus	2.8	60/50/40	0.26/0.23/0.2	●	●	●	●
	GPD25-5S Plus	3			●	●	●	●
	GPD32-5S Plus	3.5			●	●	●	●
75	GPD20-6S Plus	2.8	70/60/50	0.3/0.26/0.23	●	●	●	●
	GPD25-6S Plus	3			●	●	●	●
	GPD32-6S Plus	3.5			●	●	●	●
110	GPD20-7S Plus	3.5	100/80/60	0.45/0.35/0.28	●	●	●	●
	GPD25-7S Plus	4			●	●	●	●
	GPD32-7S Plus	4.5			●	●	●	●
180	GPD25-8S Plus	6	180/175/130	0.8/0.78/0.58	●	●	●	●
	GPD32-8S Plus	8			●	●	●	●

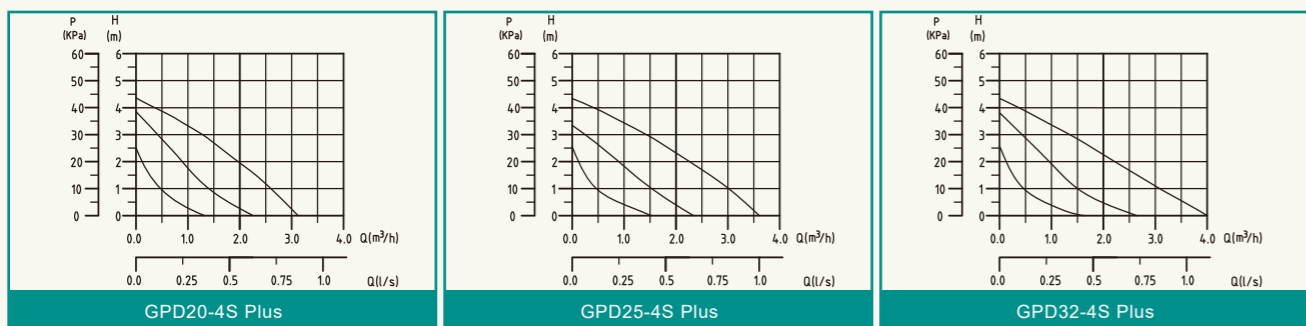
安装尺寸 Overall Dimensions

产品型号 Model	安装尺寸 Overall Dimensions					重量 Weight(kg)		体积 Volume (m³)	配用接头/法兰 Connection/Flange
	L	H	H1	B	G	净重 N.W.	毛重 G.W.		
GPD20-4S Plus	130	130	105	130	1"	2.1	2.4	0.0035	1"转¾"
GPD25-4S Plus	180	130	105	130	1½"	2.4	3	0.0041	1½"转1"
GPD32-4S Plus	180	130	105	130	2"	2.7	3.5	0.0041	2"转1¼"
GPD20-5S Plus	130	130	105	130	1"	2.3	2.6	0.0035	1"转¾"
GPD25-5S Plus	180	130	105	130	1½"	2.6	3.2	0.0041	1½"转1"
GPD32-5S Plus	180	130	105	130	2"	2.9	3.8	0.0041	2"转1¼"
GPD20-6S Plus	130	130	105	130	1"	2.3	2.6	0.0035	1"转¾"
GPD25-6S Plus	180	130	105	130	1½"	2.6	3.2	0.0041	1½"转1"
GPD32-6S Plus	180	130	105	130	2"	2.9	3.8	0.0041	2"转1¼"
GPD20-7S Plus	130	130	105	130	1"	2.3	2.7	0.0035	1"转¾"
GPD25-7S Plus	180	130	105	130	1½"	2.6	3.2	0.0041	1½"转1"
GPD32-7S Plus	180	130	105	130	2"	2.9	3.8	0.0041	2"转1¼"
GPD25-8S Plus	180	160	130	150	1½"	4.8	5.5	0.0063	1½"转1"
GPD32-8S Plus	180	160	130	150	2"	4.6	5.6	0.0063	2"转1¼"

流量功率、流量效率曲线对比图
Flow - Efficiency curve & Flow - Power Curve



性能曲线 Performance Curve



产品型号 Model:
GPD20-4S Plus / GPD25-4S Plus / GPD32-4S Plus



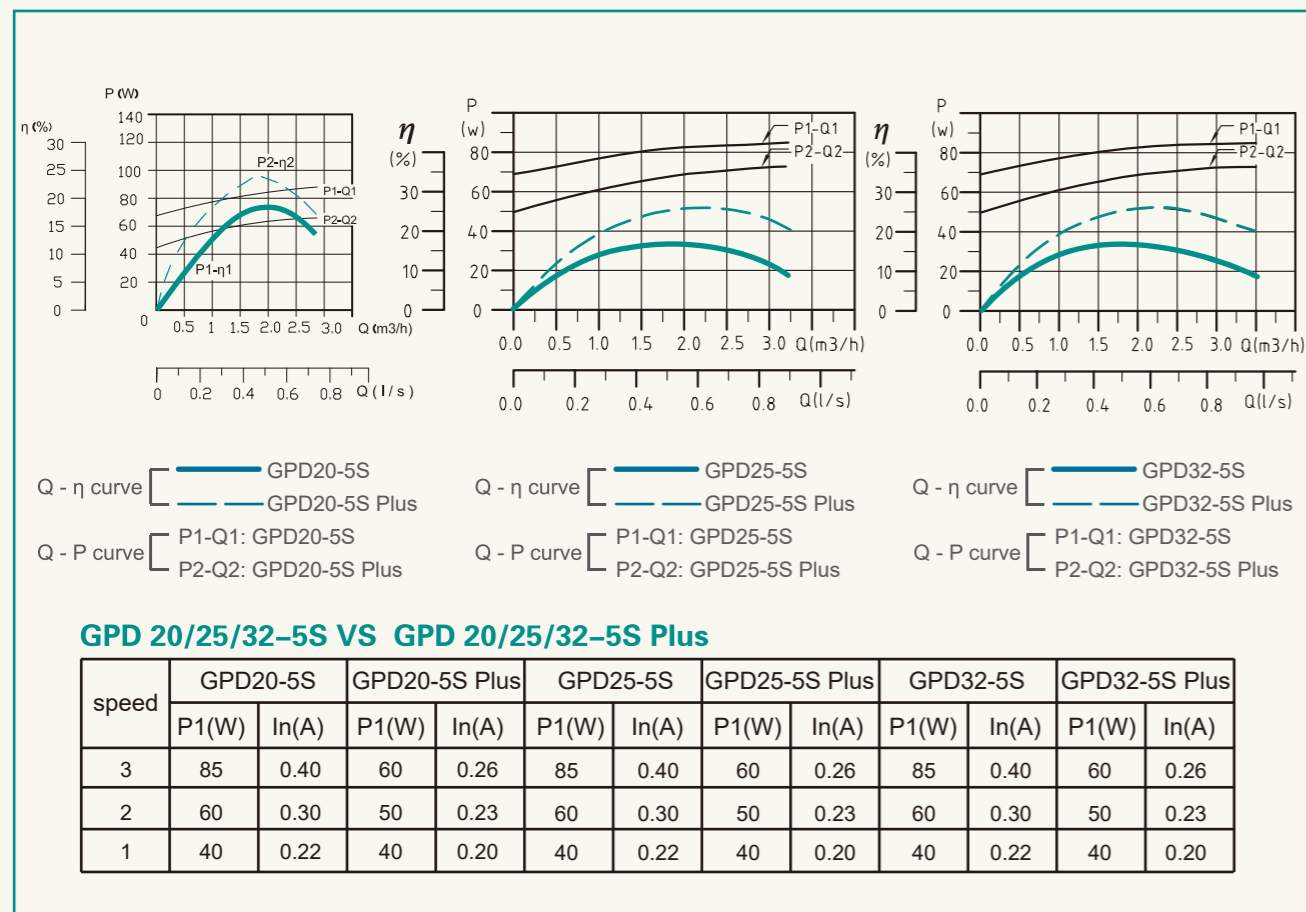
产品参数对照表 Parameters

输入功率 Power(W)	产品型号 Model	最大流量 Max.flow (m³/h)	额定功率 Rated power(W)	额定电流 Rated Current(A)	电压 Voltage(V)	泵体材质 Material		
					230V	铸铁 Castiron	不锈钢 Stainless steel	铜 Copper
50	GPD20-4S Plus	2.4	50/40/30	0.23/0.2/0.16	●	●	●	●
	GPD25-4S Plus	2.6			●	●	●	
	GPD32-4S Plus	2.8			●	●	●	

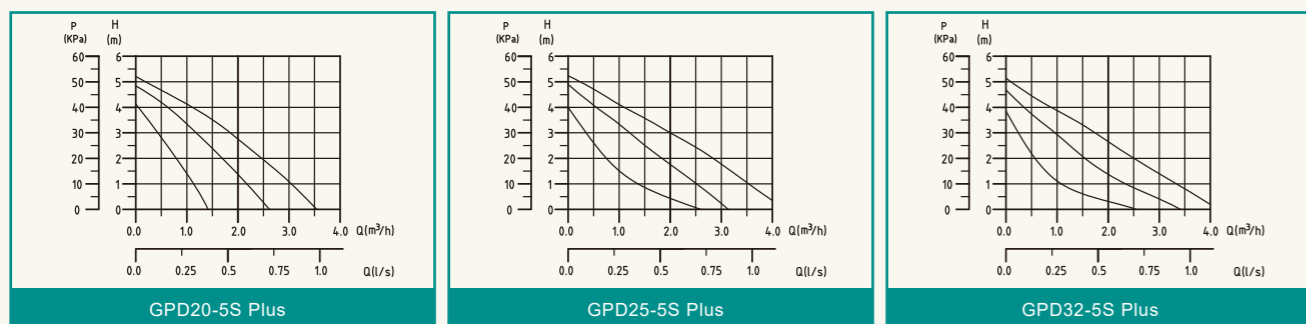
安装尺寸 Overall Dimensions

产品型号 Model	安装尺寸 Overall Dimensions					重量 Weight (kg)		体积 Volume (m³)	配用接头/法兰 Connection/Flange
	L	H	H1	B	G	净重N.W.	毛重G.W.		
GPD20-4S Plus	130	130	105	130	1"	2.1	2.4	0.0035	1"转1/4"
GPD25-4S Plus	180	130	105	130	1½"	2.4	3	0.0041	1½"转1"
GPD32-4S Plus	180	130	105	130	2"	2.7	3.5	0.0041	2"转1¼"

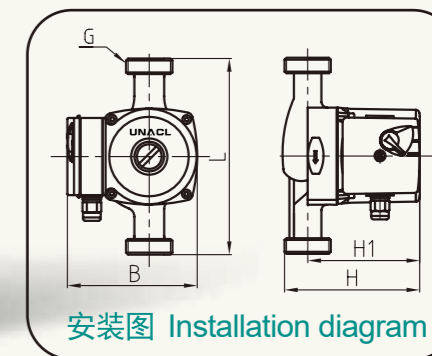
流量功率、流量效率曲线对比图
Flow-Efficiency curve & Flow - Power Curve



性能曲线 Performance Curve



产品型号 Model:
GPD20-5S Plus / GPD25-5S Plus / GPD32-5S Plus



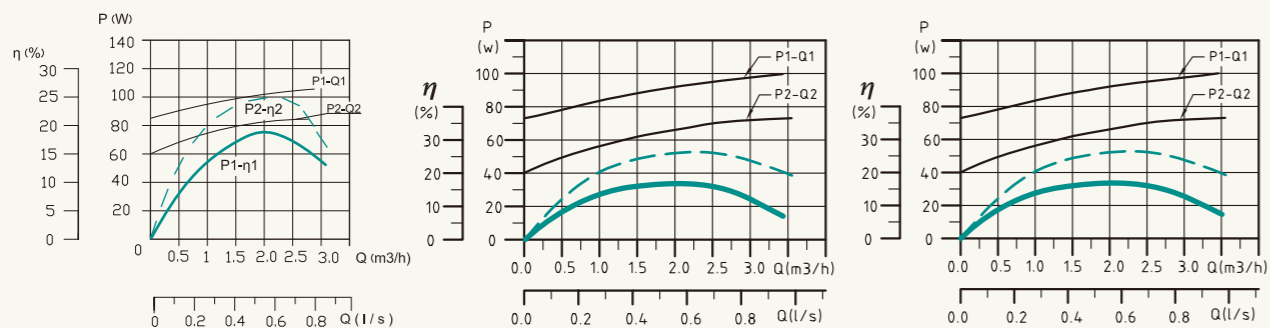
产品参数对照表 Parameters

输入功率 Power(W)	产品型号 Model	最大流量 Max.flow(m³/h)	额定功率 Rated power(W)	额定电流 Rated Current(A)	电压 Voltage(V)				泵体材质 Material		
					230V	铸铁 Castiron	不锈钢 Stainless steel	铜 Copper			
60	GPD20-5S Plus	2.8	60/50/40	0.26/0.23/0.2	●	●	●	●			
	GPD25-5S Plus	3			●	●	●	●			
	GPD32-5S Plus	3.5			●	●	●	●			

安装尺寸 Overall Dimensions

产品型号 Model	安装尺寸 Overall Dimensions					重量 Weight(kg)		体积 Volume (m³)	配用接头/法兰 Connection/Flange
	L	H	H1	B	G	净重N.W.	毛重G.W.		
GPD20-5S Plus	130	130	105	130	1"	2.3	2.6	0.0035	1"转¾"
GPD25-5S Plus	180	130	105	130	1½"	2.6	3.2	0.0041	1½"转1"
GPD32-5S Plus	180	130	105	130	2"	2.9	3.8	0.0041	2"转1¼"

流量功率、流量效率曲线对比图
Flow - Efficiency curve & Flow - Power Curve

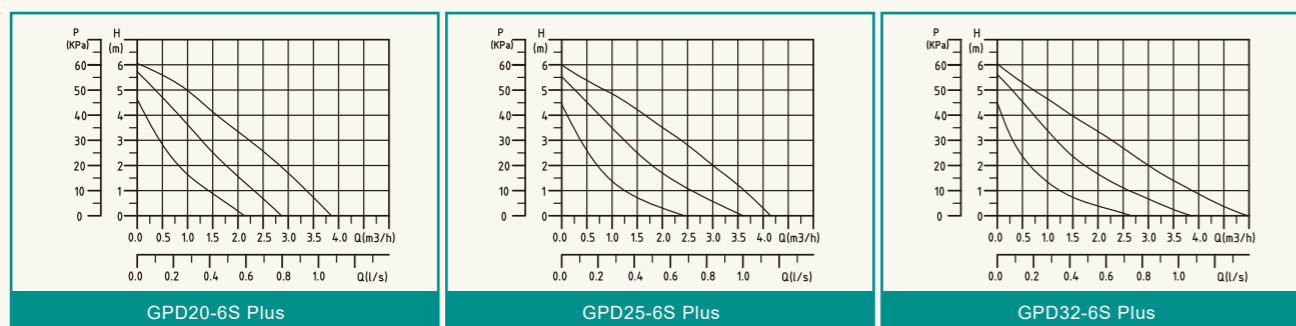


Q - η curve [GPD20-6S, GPD20-6S Plus, GPD25-6S, GPD25-6S Plus, GPD32-6S, GPD32-6S Plus]
Q - P curve [P1-Q1: GPD20-6S, P2-Q2: GPD20-6S Plus, P1-Q1: GPD25-6S, P2-Q2: GPD25-6S Plus, P1-Q1: GPD32-6S, P2-Q2: GPD32-6S Plus]

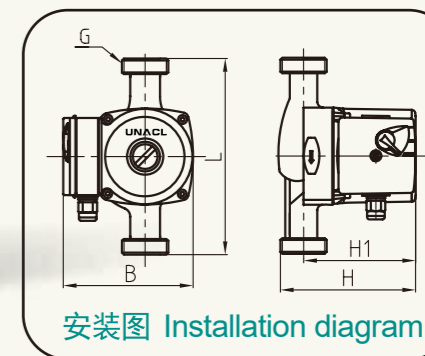
GPD 20/25/32-6S VS GPD 20/25/32-6S Plus

speed	GPD20-6S		GPD20-6S Plus		GPD25-6S		GPD25-6S Plus		GPD32-6S		GPD32-6S Plus	
	P1(W)	In(A)	P1(W)	In(A)	P1(W)	In(A)	P1(W)	In(A)	P1(W)	In(A)	P1(W)	In(A)
3	100	0.45	70	0.30	100	0.45	70	0.30	100	0.45	70	0.30
2	70	0.35	60	0.26	70	0.35	60	0.26	70	0.35	60	0.26
1	55	0.25	50	0.23	55	0.25	50	0.23	55	0.25	50	0.23

性能曲线 Performance Curve



产品型号 Model:
GPD20-6S Plus / GPD25-6S Plus / GPD32-6S Plus



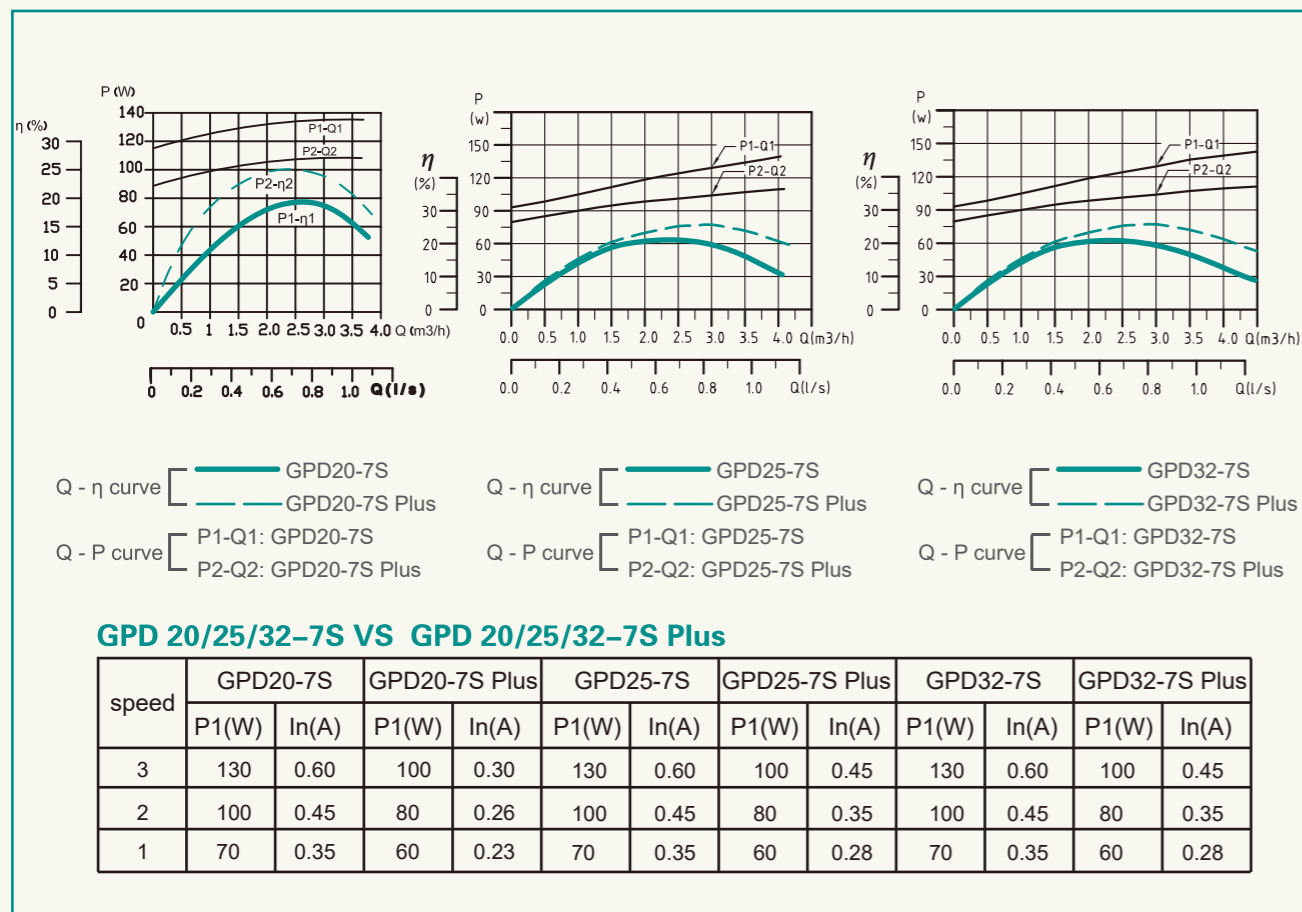
产品参数对照表 Parameters

输入功率 Power(W)	产品型号 Model	最大流量 Max.flow (m³/h)	额定功率 Rated power(W)	额定电流 Rated Current(A)	电压 Voltage(V)				泵体材质 Material		
					230V	铸铁 Castiron	不锈钢 Stainless steel	铜 Copper			
75	GPD20-6S Plus	2.8	70/60/50	0.3/0.26/0.23	●	●	●	●			
	GPD25-6S Plus	3			●	●	●	●			
	GPD32-6S Plus	3.5			●	●	●	●			

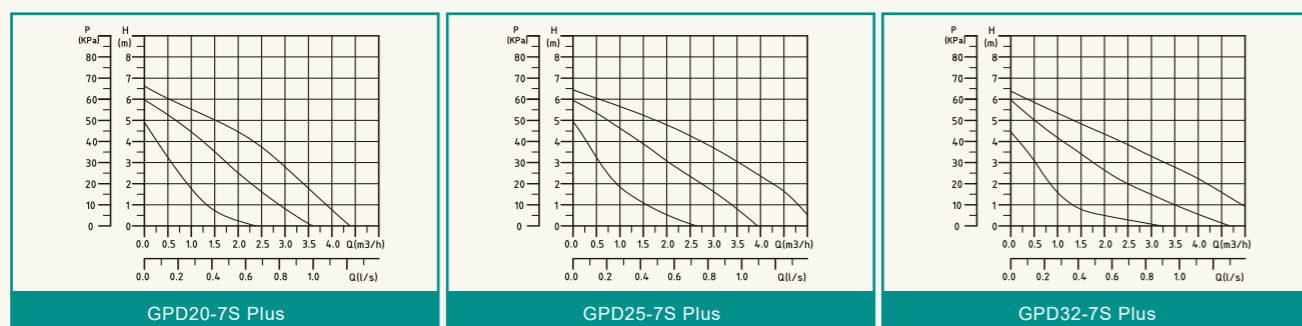
安装尺寸 Overall Dimensions

产品型号 Model	安装尺寸 Overall Dimensions					重量 Weight (kg)		体积 Volume (m³)	配用接头/法兰 Connection/Flange
	L	H	H1	B	G	净重N.W.	毛重G.W.		
GPD20-6S Plus	130	130	105	130	1"	2.3	2.6	0.0035	1"转1¼"
GPD25-6S Plus	180	130	105	130	1½"	2.6	3.2	0.0041	1½"转1"
GPD32-6S Plus	180	130	105	130	2"	2.9	3.8	0.0041	2"转1¼"

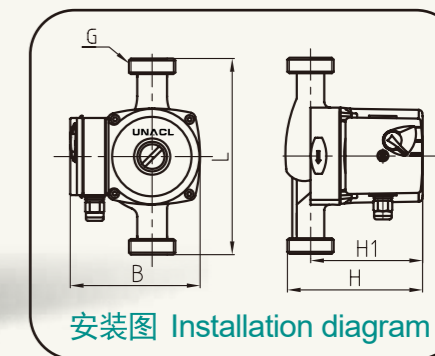
流量功率、流量效率曲线对比图
Flow - Efficiency curve & Flow - Power Curve



性能曲线 Performance Curve



产品型号 Model:
GPD20-7S Plus / GPD25-7S Plus / GPD32-7S Plus



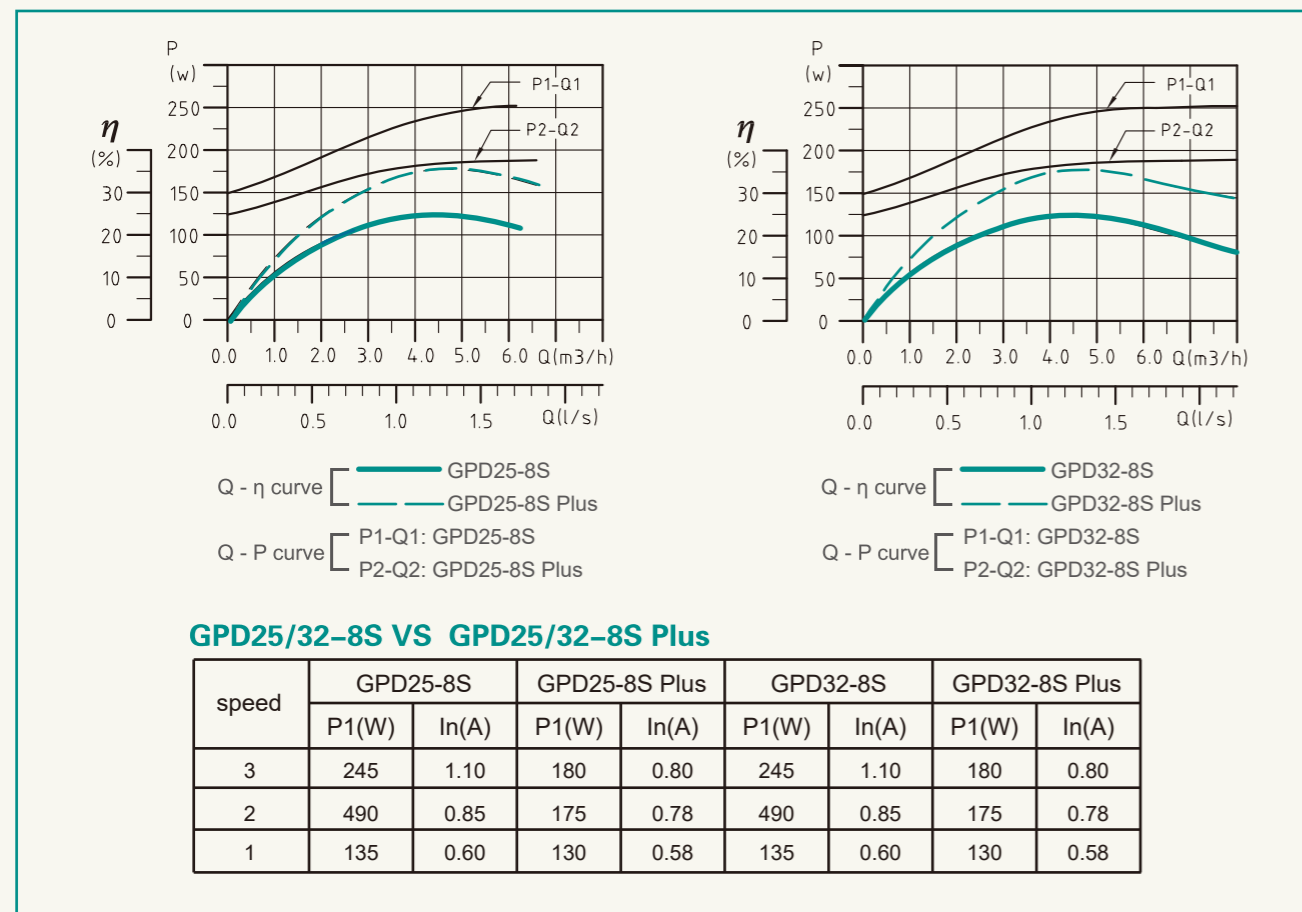
产品参数对照表 Parameters

输入功率 Power(W)	产品型号 Model	最大流量 Max.flow (m³/h)	额定功率 Rated power(W)	额定电流 Rated Current(A)	电压 Voltage(V)	泵体材质 Material		
					230V	铸铁 Castiron	不锈钢 Stainless steel	铜 Copper
110	GPD20-7S Plus	3.5	100/80/60	0.45/0.35/0.28	●	●	●	●
	GPD25-7S Plus	4			●	●	●	
	GPD32-7S Plus	4.5			●	●	●	

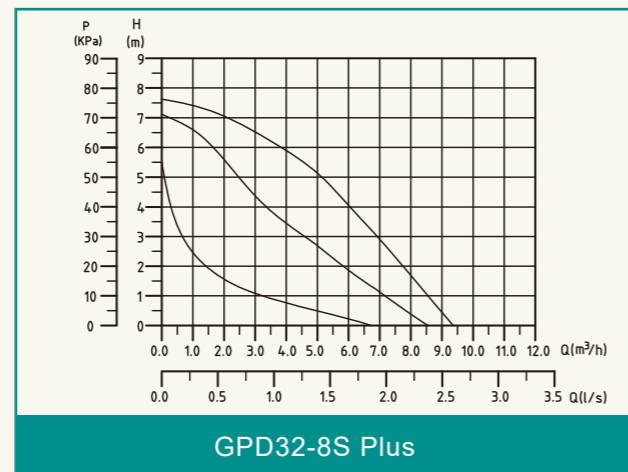
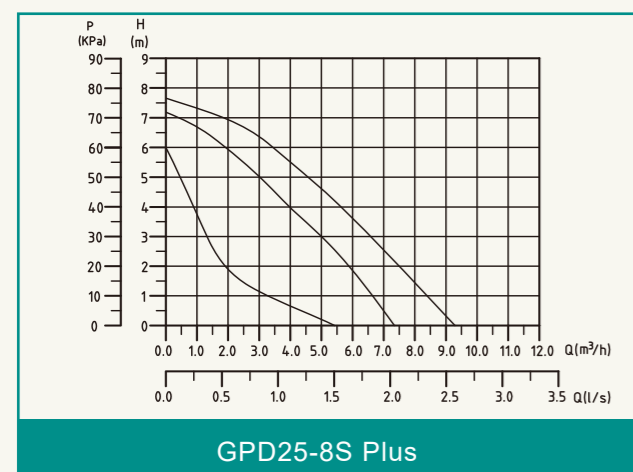
安装尺寸 Overall Dimensions

产品型号 Model	安装尺寸 Overall Dimensions					重量 Weight (kg)		体积 Volume (m³)	配用接头/法兰 Connection/Flange
	L	H	H1	B	G	净重N.W.	毛重G.W.		
GPD20-7S Plus	130	130	105	130	1"	2.1	2.4	0.0035	1"转1¼"
GPD25-7S Plus	180	130	105	130	1½"	2.6	3.2	0.0041	1½"转1"
GPD32-7S Plus	180	130	105	130	2"	2.9	3.8	0.0041	2"转1¼"

流量功率、流量效率曲线对比图
Flow-Efficiency curve & Flow - Power Curve



性能曲线 Performance Curve



产品型号 MODEL:
GPD25-8S Plus / GPD32-8S Plus



产品参数对照表 Parameters

输入功率 Power(W)	产品型号 Model	最大流量 Max.flow (m³/h)	额定功率 Rated power(W)	额定电流 Rated Current(A)	电压 Voltage(V)	泵体材质 Material	
					230V	铸铁 Castiron	不锈钢 Stainless steel
180	GPD25-8S Plus	6	180/175/130	0.8/0.78/0.58	●	●	●
	GPD32-8S Plus	8			●	●	

安装尺寸 Overall Dimensions

产品型号 Model	安装尺寸 Overall Dimensions					重量 Weight (kg)		体积 Volume (m³)	配用接头/法兰 Connection/Flange
	L	H	H1	B	G	净重N.W.	毛重G.W.		
GPD25-8S Plus	180	160	130	150	1½"	4.8	5.5	0.0063	1½"转1"
GPD32-8S Plus	180	160	130	150	2"	4.6	5.6	0.0063	2"转1¼"